

10 GN 2/1 ELECTRIC CONVECTION / STEAM OVEN
FORNO CONVEZIONE / VAPORE ELETTRICO 10 GN 2/1

PNC	Model	Ref	Group	Level	Page	Notes
236203	FCZ102EKA	t	FCZ	Level K	2...11	400V 3N 50Hz
237203	FCZ102ETA	n	FCZ	TOUCH	2...11	400V 3N 50Hz
238203	FCZ102EBA2	o	FCZ	Level B	2...11	400V 3N 50Hz
239203	FCZ102ECA2	p	FCZ	Level C	2...11	400V 3N 50Hz
266203	AOS102EKA1	r	AOS	Level K	2...11	400V 3N 50Hz
266283	AOS102EKM1	s	AOS	Level K	2...11	280 3 USA
266323	AOS102EKV1	b	AOS	Level k	2...11	208V 3 60 HZ USA
266353	AOS102EKR1	a1	AOS	Level K	2...11	400V 3N 50/60 HZ AUS
267203	AOS102EAA1	a	AOS	TOUCH	2...11	400V 3N 50Hz
267233	AOS102ETC1	u	AOS	TOUCH	2...11	200V 3N 50/60 Hz Japan
267283	AOS102EAM1	c	AOS	TOUCH	2...11	208V 3 USA
267303	AOS102EAK1	e	AOS	TOUCH	2...11	400V 3N 50Hz UK
267323	AOS102ETV1	f	AOS	TOUCH	2...11	480V 3 USA
267353	AOS102ETR1	b1	AOS	Touch	2...11	400V 3N 50/60 HZ AUS
268203	AOS102EBA1	g	AOS	Level B	2...11	400V 3N 50Hz
268233	AOS102EBC2	v	AOS	Level B	2...11	200V 3N 50/60 HZ Japan
268303	AOS102EBK1	h	AOS	Level B	2...11	400V 3N 50Hz UK
268353	AOS102EBR2	c1	AOS	Level B	2...11	400V 3N 50/60 HZ AUS
269203	AOS102ECA2	i	AOS	Level C	2...11	400V 3N 50Hz
269283	AOS102ECM1	l	AOS	Level C	2...11	208V 3 USA
269303	AOS102ECK2	q	AOS	Level C	2...11	400V 3N 50Hz UK
269323	AOS102ECV1	z	AOS	Level C	2...11	480V 3 60 HZ USA
269353	AOS102ECR2	d1	AOS	Level C	2...11	400V 3N 50/60 HZ AUS

Pag	Index	Indice	Note
2	Oven cabinet and door.	Cella forno e porta	
3	Water system	Impianto idraulico	
4	Boiler	Boiler	
5	Electrical components	Componenti elettrici	
6	Accessories	Accessori	
7...11	Spare parts list	Lista ricambi	

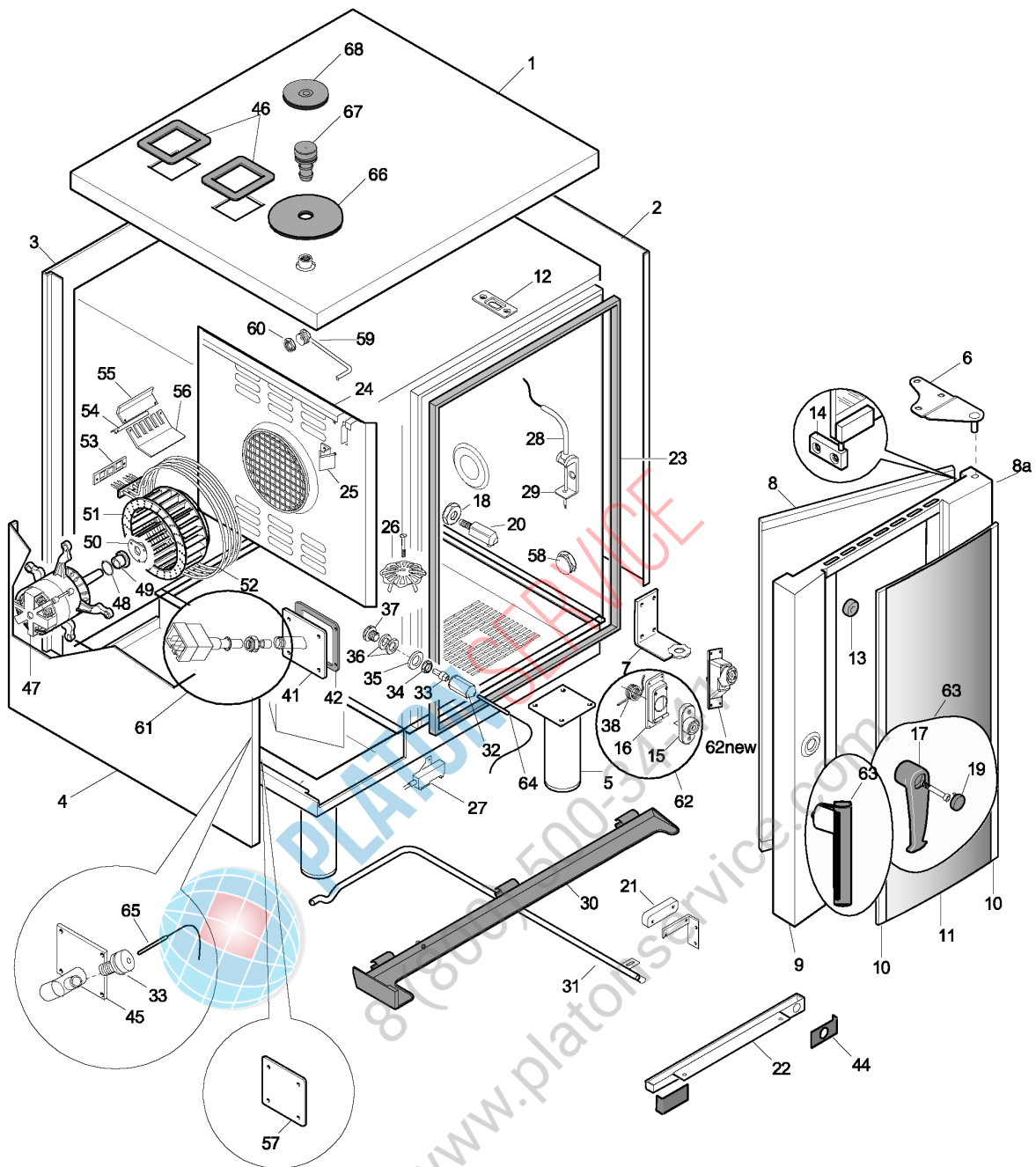
Brand/Marchio: All
Factory code: 9PDD

From sr. Nr/ Da Ser. Nr.: 014
From status level / Da scatto: 07

Page: 1

Ed. 2016 03

Doc. Nr.: **875400W00**



From sr. Nr/ Da Ser. Nr.: 014
 From status level / Da scatto: 07

Page: 2

Ed. 2016 03

Doc. Nr.: **875400W00**

??????	267203									
??????	875400W00	???????? 2	Oven cabinet and door							
.		Alias		S		.			(Euro)	
0001	0C6178	0530891400						LID; ONE 062-102E	220,30	
0002	0C6176	0530891100						RIGHT SIDE; ONE 102	170,50	
0003	0C6191	0530892800						BACK PANEL; ONE 102	122,80	
0004	0C6197	0530893400						LEFT SIDE; ONE 102	156,30	
0005	0C4233	0831842202		S				FOOT; DIA.44,5; INOX	Up to 2007/52 from 2012/19	12,36
0005	0C4892	0831850900		S				FOOT; 2"	From 2008/01 up to 2012/18	11,46
0006	0C4234	0806847803						PLATE; ASSY,UPPER AOSQ		22,43
0007	0C4235	0806861600	0C9574					PLATE; ASSY.LOWER 6-10 AOSQ		
0008	0C4504	0873870002		S				DOOR GLASS; ASSY; INT. LW 102 AOSQ		114,70
0008	0C6577	0850400R00						DOOR CHASSIS; LW102		437,50
0009	0C6602	0879400700						DOOR ASSEMBLY		773,00
0010	0C4476	0806859302		S				PROFILE; EST.LW10 AOSQ		34,92
0011	0C4944	0574818601						DOOR GLASS; EXT; ONE 102	For FCZ Version	111,70
0011	0C6560	0574400400						DOOR GLASS; 894X601MM; EXTERNAL	For AOS Version	150,20
0012	0C4088	0543839700		S				GASKET		8,13
0013	006976	0543828001		S				SHOCK ABSORBER		4,33
0015	0C4089	0835871801	0C4477					LOCKING MECHANISM		
0016	0C4237	0510824200		S				SUPPORT; LW06-10 AOSQ		18,98
0017	0C4090	0548871500		S				HANDLE; LW06-10 AOSQ		13,09
0018	0C4238	0516896400						NUT; FOR CATCH AOSQ		11,72
0019	0C4091	0546822600		S				PLUG; LW06-10 AOSQ		6,76
0020	0C4092	0806859900		S				CATCH		35,42
0021	049627	0699603700						MAGNET		9,82
0022	0C4292	0528869601						BOWL; LW102 AOSQ		62,83
0023	0C1887	0543835000		S				DOOR GASKET; 725X630MM		93,99
0024	0C4620	0831847104						SUCTION WALL; AOSQ 102		276,10
0025	0C3423	0518807301						SPRING; SUCTION WALL		19,63
0026	0C2769	0518808700		S				BOTTOM STRAINER		13,26
0027	049621	0654600000					+	REED SWITCH		15,00
0028	0C4240	0831831001	0CB214		A			CORE PROBE; AOSQ T.C.MULTIPOINT	For Level TOUCH	226,30
0028	0C4241	0831830702	0CB213	S	A			CORE PROBE; SINGLE POINT AOSQ	For Level B, C,K	128,90
0029	0C1505	0527865201		S				SUPPORT		7,29
0030	0C4298	0856814100		S				DRIP TRAY; 10 2/1 AOSQ		20,29
0031	0C4293	0806858901						HOSE		42,53
0032	006991	0516855300						NUT		22,43
0033	0C4872	0543842600		S				PLUG; FOR SENSOR		7,29

??????	267203									
??????	875400W00	???????? 2	Oven cabinet and door							
.		Alias		S			.			(Euro)
0034	020997	0214105101						LOCK NUT		1,25
0035	002701	0516809301						INSULATOR		3,59
0036	002624	0543816300						GASKET; SET 50 PCS		24,16
0037	002623	0516809400						PIPE FITTING		10,04
0038	0C8561	0518818000		S				SPIRAL SPRING		20,00
0041	0C4244	0806857201						FLANGE; FOR LAMBDA SONDE	For Level TOUCH	40,09
0042	0C4093	0543838300		S				GASKET		11,09
0044	0C4094	0543841300		S				GASKET		11,61
0045	0C4245	0806856200						FLANGED TUBE; BY-PASS AOS Q 6-10	For Level B, C,K	114,30
0046	0C1194	0543832100		S				GASKET		7,92
0047	0C5288	0611809100					Kit	MOTOR; 1F 4P 750W 200-240V; KIT	For Level C 400V	381,60
0047	0C6563	0611810000		S	A			MOTOR; 200-240V/750W		360,30
0047	0C6704	0611400500		S				MOTOR; 200V/240V-750W 50/60HZ	For TOUCH 208V,240V, Japan Version	350,20
0047	0C6937	0611400200						MOTOR; 480V-750W	For TOUCH 480V, z,b	390,80
0048	002873	0543816700						O-RING; ØI=MM.28,17X3,53		2,43
0049	002699	0516808902						BEARING; FOR MOTOR SHAFT		20,50
0050	0C4138	0538815400		S				FLANGE		5,81
0051	0C1172	0831804901	0C6464					FAN BLADE; ASS.		
0052	0C1173	0617828000	0C5365					HEATING ELEMENT; 400V 8KW	For 400V Version	
0052	0C2241	0617829300			A			HEATING ELEMENT; 8KW 208V USA	For 208V Version	153,30
0052	0C2242	0617829900						HEATING ELEMENT; 8KW 240V USA	For 240V Version	181,70
0052	0C6502	0617400901	0C5365	S	A	+		HEATING ELEMENT; 400V-8000W	For a , g	
0052	0C6941	0617400300						HEATING ELEMENT; 480V-8000W	For 480V Version,z,b	144,10
0052	0C9858	0617400C00						HEATING ELEMENT; 200V 8000W	For Japan Version	85,36
0053	002689	0543816501						HEATING ELEMENT GASKET		26,09
0054	006253	0503897402		S				ANGLE		9,19
0055	0C1175	0527856600						STIRRUP		20,10
0056	0C1174	0527856500						SUPPORT		19,59
0057	0C4857	0527898900						PLAQUE	for Level C,K	6,33
0058	000000									
0059	0C4976	0856828501		S				WATER PIPE; ONE 102/202 LIV.C	for Level C,K	42,43
0060	0C6228	0516887101		S				PIPE FITTING	for Level C,K	18,88
0061	0C6465			S	A	Kit	PDD2011-10	LAMBDA PROBE; KIT	for level TOUCH	173,60
0062	0CA733	835402M00							From 6091...	156,00
0062	0CA757			S				DOOR CLOSING ASSY; KIT	Up to 6081...	156,00
0063	0C6569	0830400500		S				DOOR HANDLE	for AOS Group	56,64

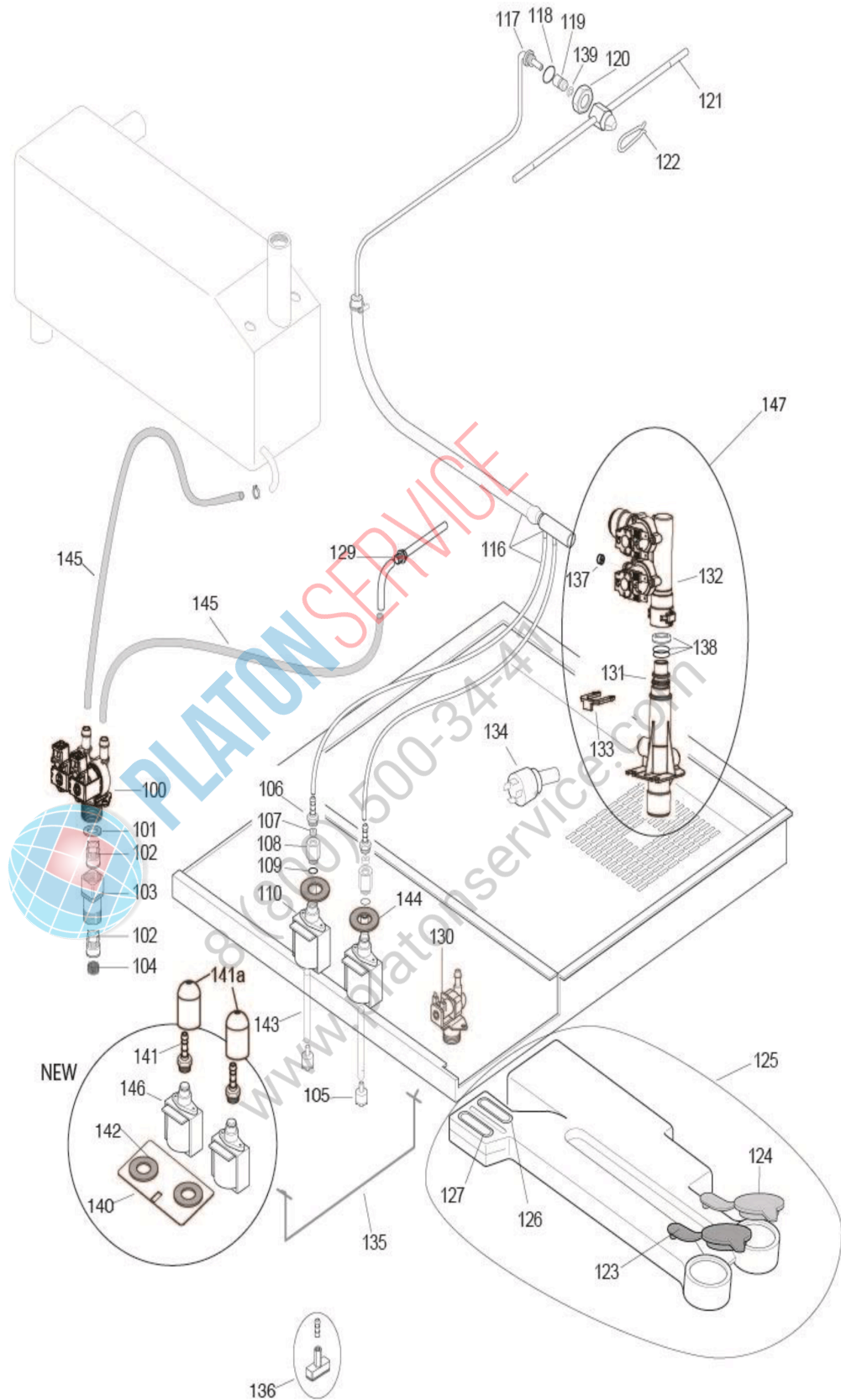
??????	267203								
??????	875400W00	???????? 2	Oven cabinet and door						
.		Alias		S			.		(Euro)
0063	0C6572	0830400600		S				HANDLE; ASSY	for FCZ Group 17,63
0064	0C6538	0830898902		S	A			TEMPERATURE PROBE; L=500MM	37,66
0065	0C6539	0830899101		S	A			THERMOCOUPLE PROBE; L=1100MM; STRAIGHT	40,19
0066	0C7016	0543400900		S				GASKET; ØE=74MM; ØI=17MM; H=12,5MM	4,01
0067	002692	0543816601						CAP; DESCALING LOAD IN THE BOILER	6,76
0068	0C4965	0543843201		S				BUFFER	12,04
008a	000000								



PLATON SERVICE

8 (800) 500-34-41

www.platonservice.com



From sr. Nr/ Da Ser. Nr.: 014
 From status level / Da scatto: 07

Page: 3

Ed. 2016 03

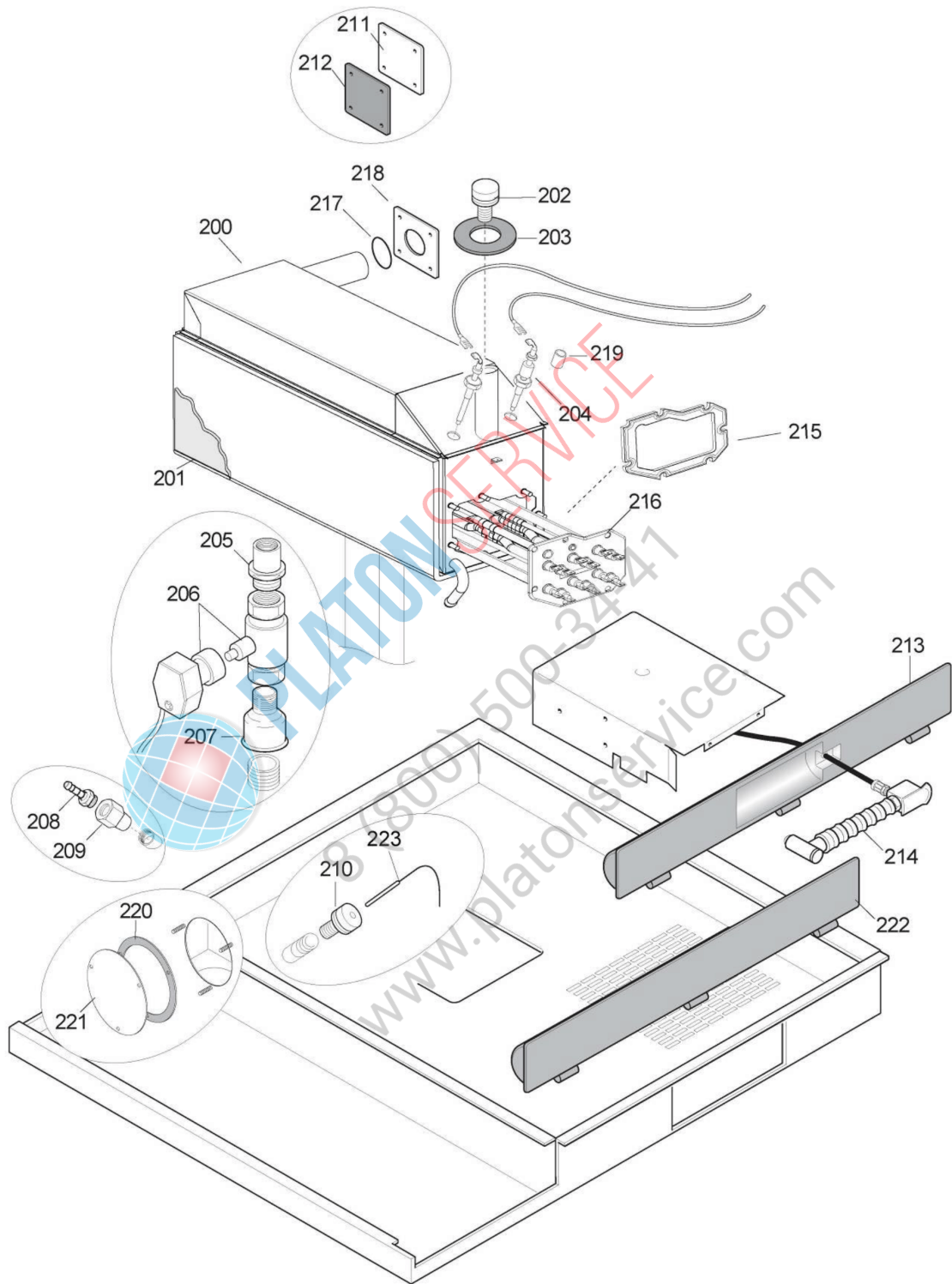
Doc. Nr.: **875400W00**

??????		267203									
??????		875400W00		???????? 3		Water system					
.		Alias		S			.				(Euro)
0100	OC5517	0696808300		S	A			WATER SOLENOID VALVE; 2 VIE/180 5/L MIN	for Level TOUCH		33,36
0101	OC4096	0543840600		S				FILTER GASKET	for Level TOUCH		1,27
0102	OC2312	0549801800		S				NONRETURN VALVE	for Level TOUCH		5,86
0103	OC2313	0516879400		S				PIPE FITTING	for Level TOUCH		29,54
0104	000000										
0105	OC1155	0831811400		S				FILTER			15,97
0106	OC4198	0516896101		S				RUBBER HOLDER; G1/4" DIA 4 MM			13,30
0107	OC1117	0544809000		S				NONRETURN VALVE			6,90
0108	OC1116	0516871900		S				FITTING; RINSE AND DETERGENT PUMPS			10,29
0109	OC1935	0543832300		S				O-RING; ØI=6,75X1,78 MM			1,02
0110	OC2309			S				TUBE; BY METER			6,66
0110	OC2341	0680801201	OCA120					PUMP	for 50 Hz		
0110	OC2342	0680801301		S	A			ELECTRIC PUMP; 120V 60HZ 32W	for 60 Hz		60,39
0116	OC6203	0805400300		S				MANIFOLD; ASSY; ONE C.S.062-102			33,39
0117	OC5430	0806871200		S				PIPE; ASSY			42,63
0118	OC4201	0543841400		S				GASKET; 17X22X1,5			2,53
0119	OC4467	0516898301		S				BUSHING; FCS 6			10,77
0120	OC4202	0516896000		S				LOCK NUT; INOX M16X1.5X6H			5,33
0121	OC5503	0806873900	OC8317					WASH ARM; ASSY; L=422MM			
0122	007026	0518807100		S				SPRING			14,25
0123	OC1151	0544808100		S				PLUG BLU			3,08
0124	OC1152	0544808200		S				RED CAP			2,76
0125	OC4426	0544808001		S				RESERVOIR; ASSY			52,07
0126	OC1154	0544808900		S				WALL RED			4,13
0127	OC1153	0544808400		S				WALL BLU			4,13
0129	007075	0H22982800		S				PIPE	for Level TOUCH, B		29,84
0129	OC4978	0856828700						WATER PIPE; ONE 102-202 LIV.C	for Level C,K		28,93
0130	OC5515	0696808200		S	A			WATER SOLENOID VALVE; 1 VIA/180°	for Level C,K		15,86
0131	000000	0835400000							for 60Hz Version		
0131	OC6370	0831857200		S				MANIFOLD; ASSY			42,43
0132	OC6373	0696400100			D	PDD2012 -17		WATER DISTRIBUTOR; 1U-230V 1U-110V 50/60	for 60 Hz Version		70,04
0132	OC6374	0696808600			D	PDD2012 -17		WATER DISTRIBUTOR; 2 OUTPUP; 230V 50/60H	for Level TOUCH, B		100,30
0132	OC6406	0696400300			D	PDD2012 -17		WATER DISTRIBUTOR; 1U.230V- 50/60HZ			55,52
0133	OC6222	0546825100		S				SAFETY DEVICE			6,26
0134	OC6217	0646817200		S	A			PRESSURE SWITCH; GP600			33,50
0135	OC5426	0513805000		S				STIRRUP			14,15

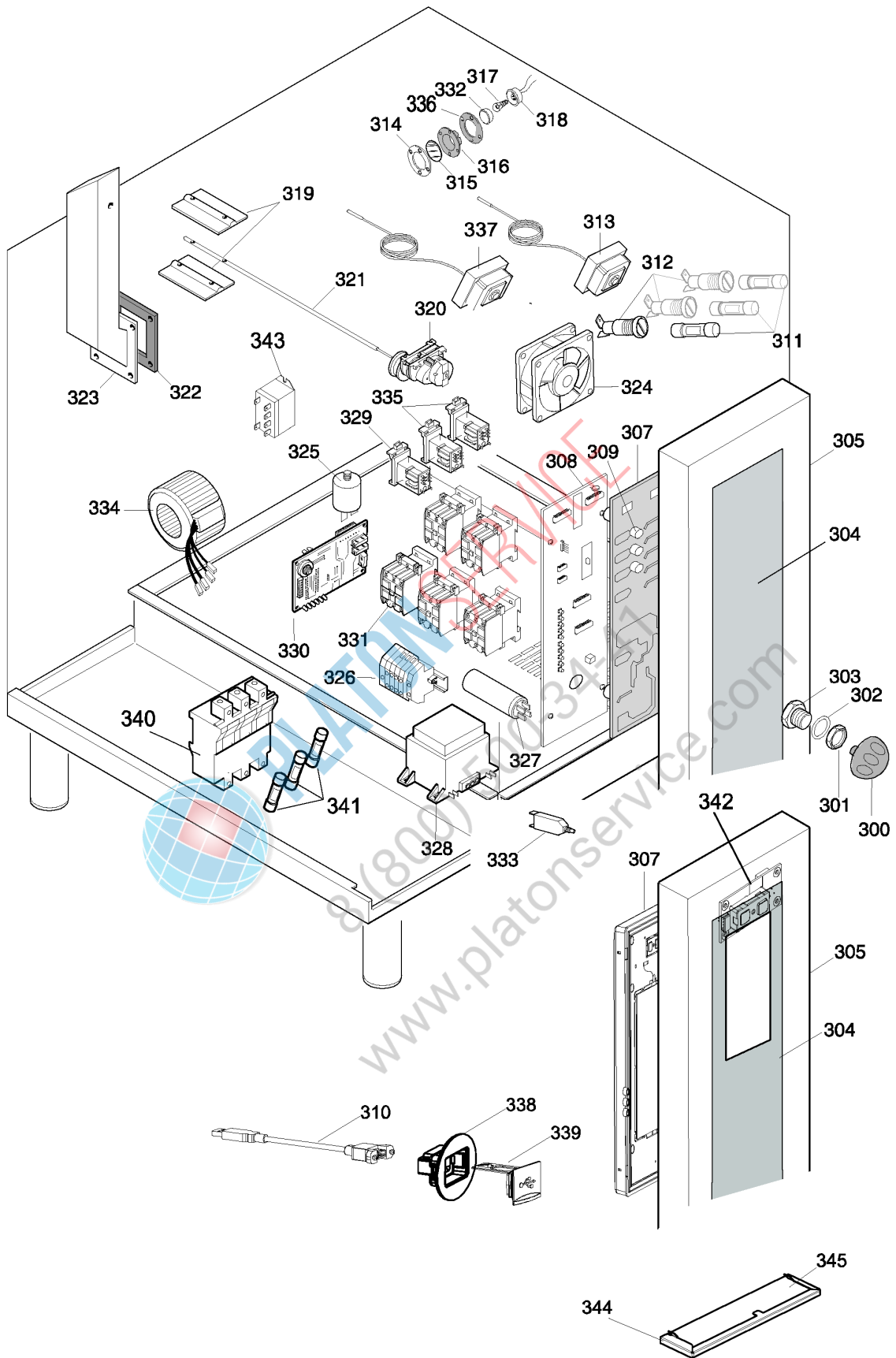
??????	267203								
??????	875400W00	???????? 3	Water system						
.		Alias		S			.		(Euro)
0136	0C6201	0546824100		S				PIVOT	1,02
0137	0C6375			S		Kit		FLOW REDUCER; KIT 4PCS	11,67
0138	0C6377			S		Kit		O-RING WITH BUSH; KIT	15,60
0139	0C6421	0219035015		S				SPRING RING	1,02
0140	0C7924	0505401R00		S				FIXING PLAQUE	6,22
0141	0C8348	0544400C01	0CA348					RUBBER HOLDER; DIA.5MM 1/8"	Up to 5151...
0141	0CA348	0544400C02		S				RUBBER HOLDER; Ø5-1/8' WITH O-RING	From 5161...
0142	0C7925	0543400R00		S				CABLE GROMMET; ØINT 24.6 ØEST 38	15,23
0143	0C2309	0546814600		S				TUBE; BY METER	6,66
0144	005382	0246530100		S				GROMMET; DIA.22	1,99
0145	0C5829	0544819400	0C4832	S				TUBE; BLU; 10X17; BY METER	
0146	0C8347	0686400100	0CA120					PUMP; 230-240V 50-60HZ; UL	Up to 4441...
0146	0CA112	0686400201						PUMP;230V/50HZ 240V/60HZ UL;CLEANING SY	From 4451...
0147	0C8683	0835400L00		S				WATER INLET GROUP; 220 240V UL	122,80
0147	0C8684	0835400M00		S				WATER INLET GROUP; 220 240V UL	For level C 102,50
141a	0C9538	0546400J00						PROTECTING CAP; BLACK	



PLATON
 8 (800) 500-3441
 www.platonservice.com



??????		267203									
??????		875400W00		???????? 4		Boiler					
.		Alias		S			.			(Euro)	
0200	0C9664	0878401400		S	A			BOILER; KIT; ELT 102-201		796,00	
0201	0C5837	056980700						BOILER INSULATION; ELT ONE 102 - 201		58,26	
0202	002692	0543816601						CAP; DESCALING LOAD IN THE BOILER		6,76	
0203	0C5834	0543844800		S				GASKET; BOILER HEATING ELEMENT		19,69	
0204	0C1201	0830890600		S	A			LEVEL PROBE; ASSY		32,99	
0205	007117	0516809501		S				CONNECTION		15,81	
0206	0C0882	0696804201	0CB250	S	A			MOTOR-OPERATED VALVE; 3/4" 230V 50/60HZ		144,10	
0206	0C5518	0696808500		S				BALL VALVE; 3/4" USA 240V 50/60HZ	For 60Hz Version	145,10	
0207	0C1063	0516868600	0C8412					PIPE FITTING			
0208	0C5564	0510828000		S				RUBBER HOLDER; 1/4"; FOR TUBE DIA.10MM		5,33	
0209	0C4099	0516879600		S				NOZZLE; 1/4"FD3.5-3/8"M		18,88	
0210	0C4872	0543842600		S				PLUG; FOR SENSOR		7,29	
0211	0C4856	0527898700						FLANGE	For Level C,K	6,76	
0212	0C4963	0543842800		S				GASKET; FOR BOILER	For Level C,K	19,54	
0213	0C4533	0546818503						FRONT PANEL; LOWER; 10 2/1 AOSQ		79,07	
0214	0C4248	0873881200		S				SHOWER UNIT; AOSQ		257,80	
0214	0CA408	0875402H00							for e from 5391...	257,80	
0215	0C5834	0543844800		S				GASKET; BOILER HEATING ELEMENT		19,69	
0216	0C5822	0617837200						HEATING ELEMENT; 208V-20000W	For 208V Version	288,30	
0216	0C5841	0617836500		S	A			HEATING ELEMENT; 400V-24000W	For 400V Version	211,10	
0216	0C5841	0617837800		S	A			HEATING ELEMENT; 400V-24000W	For 240V Version	211,10	
0216	0C6027	0617839502						HEATING ELEMENT; 200V-20000W	For Japan Version	291,30	
0216	0C6940	0617400200						BOILER HEATING ELEMENT; 480V-20000W	For 480V Version	231,40	
0217	002874	0543816800						O-RING; ØI=31,34X3,53 MM		3,48	
0218	0C4821	0527898600		S				FLANGE		7,39	
0219	055347	0515857001						SPACER; H=11,5MM		5,81	
0220	0C7033	0543400000		S				GASKET	for level TOUCH	17,95	
0221	0C3443	0J89061403						WASHER; FOR DOOR		15,84	
0222	0C4966	0546821501			D			FRONT PANEL; NEUTRAL; 062-102	For Level B	20,10	
0223	0C6539	0830899101		S	A			THERMOCOUPLE PROBE; L=1100MM; STRAIGHT	for Level TOUCH e B	40,19	



From sr. Nr/ Da Ser. Nr.: 014
 From status level / Da scatto: 07

Page: 5

Ed. 2016 03

Doc. Nr.: **875400W00**

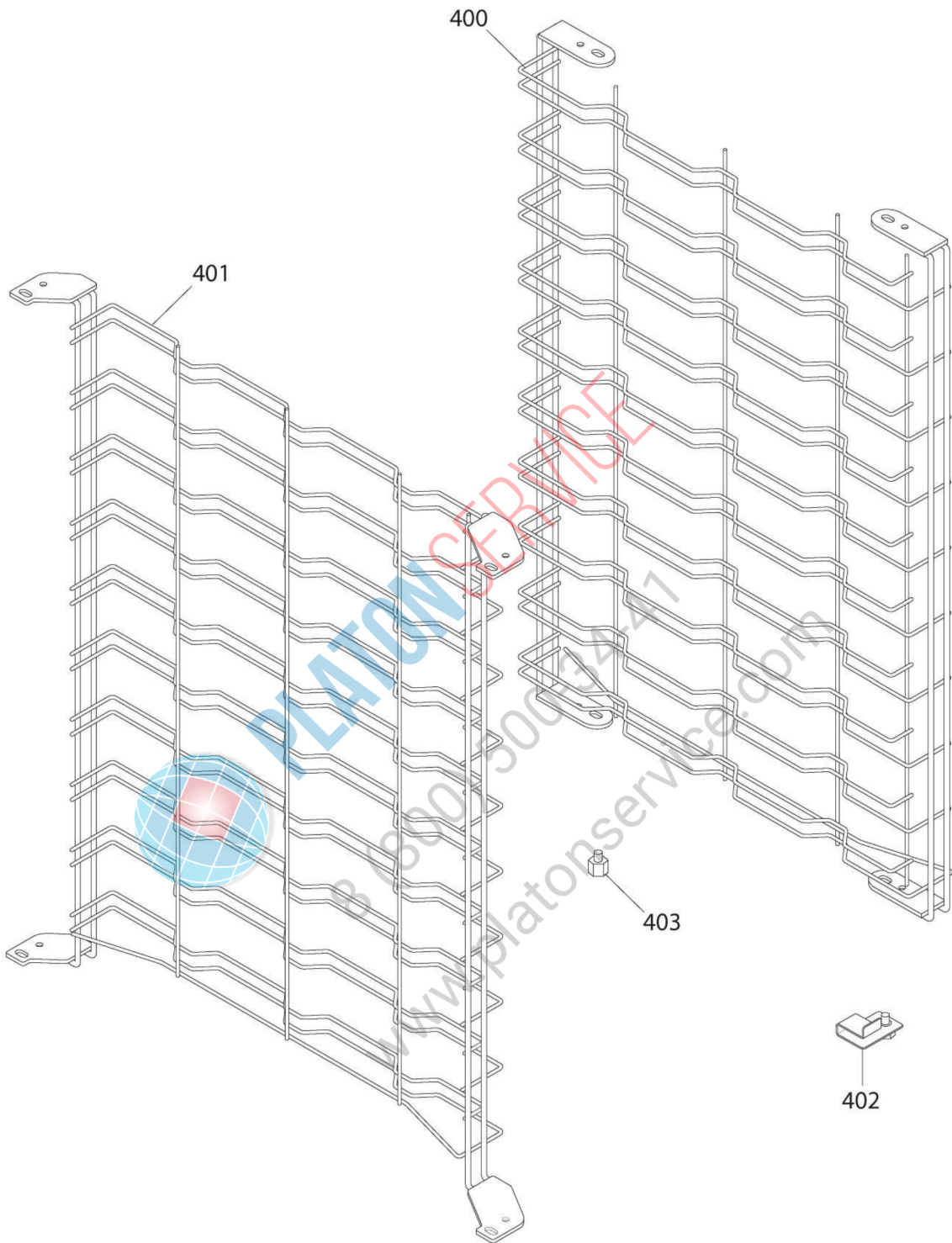
??????	267203									
??????	875400W00	???????? 5					Electrical components			
.		Alias		S			.			(Euro)
0300	0C4875	548872200		S				KNOB; BLACK	From 042	5,29
0300	0C5600	0806874001	0C4875					KNOB	Up to 041	
0301	051263	0214114900						LOCK NUT	for Level B	3,80
0302	002727	0508836400						WASHER	for Level B	1,02
0303	002662	0516807301						BUSH	for Level B	6,02
0304	0C4948	0675855001						ADHESIVE MEMBRANE; ONE; LIV.B	for Level B FCZ Ver.	67,90
0304	0C4949	0675855102						ADHESIVE MEMBRANE; ONE; LIV.C	for Level C FCZ Ver.	56,43
0304	0C6549	0548400500						ADHESIVE MEMBRANE	for TOUCH AOS Ver.	72,98
0304	0C6551	0548400B00						ADHESIVE MEMBRANE	for TOUCH FCZ Ver.	59,28
0304	0C6553	0548400F00						ADHESIVE MEMBRANE	for Level B AOS Ver.	65,37
0304	0C6556	0548400J00						ADHESIVE MEMBRANE	for Level C AOS Ver.	72,37
0304	0C8706	0548401G00						ADHESIVE MEMBRANE; TOUCHSCREEN 10 "K"	For Level Touch "K" AOS Group	82,72
0305	0C4905	0873896302						CONTROL PANEL; ONE 102 LIV.B	for Level B FCZ Ver.	252,70
0305	0C4906	0873896402						CONTROL PANEL; ONE 102 LIV.B	for Level C FCZ Ver.	252,70
0305	0C6584	0875401900						CONTROL PANEL WITH MEMBRANE	for TOUCH AOS Ver.	361,30
0305	0C6584	0875401901						CONTROL PANEL WITH MEMBRANE	for Level Touch AOS	361,30
0305	0C6585	0870400800						CONTROL PANEL; 102 LIV.B	for Level B AOS Ver.	298,40
0305	0C6594	0870400L00						CONTROL PANEL	for Level A FCZ Ver.	263,90
0305	0C6595	0870400M00						CONTROL PANEL; 102 LIV.C	for Level C AOS Ver.	298,40
0305	0C7960	0548401600						ADHESIVE MEMBRANE	for Level C USA (Start s/n 120...)	209,10
0305	0C8710	0875401T00						CONTROL PANEL; COMPLETE W/MEMBRANE	For Level Touch "K" AOS Group	368,40
0307	0C0041	0675838802		S	A			USER INTERFACE; LIV B	for Level B	332,90
0307	0C4891	0675854600			D	PDD2012-16		USER INTERFACE BOARD	for Level C	347,10
0307	0C6571	675400A00	0CA070					USER INTERFACE BOARD; COPUI40-T	for Level TOUCH,K up to 2441...	
0307	0C7350	0675854602		S	A			USER INTERFACE BOARD	for Level C (Start s/n 120...)	348,10
0307	0C8805	675400P01	0CA070					USER INTERFACE BOARD	for Level TOUCH,K from 2451... up to 4481...	
0307	0CA070	675400P03						USER INTERFACE BOARD; COPUI40-T (REV5)	for Level TOUCH,K from 4491...	817,00
0308	0C0042	0675837808		S	A			POWER BOARD; COP20-A; LIV A/B/C LW	for Level B, C	588,00
0308	0C6570	0675400801		S	A			MOTHERBOARD; COP20-T SW1.60	for Level TOUCH,K	426,30
0309	0C3750	0546814001	0C3751	S				SPACER; 6.6	for Level B, C	
0309	0C5833	0546824600		S				BUTTON EXTENSION; L=7,4MM	for Level B, C	1,02
0309	0C6564	0633847400		S				SHIELDED CABLE	for TOUCH level	24,26
0310	0C6565	0638400P00						EXTENSION CABLE	for TOUCH level	14,15
0310	0C6566	0638400Y00		S				USB EXTENSION; L=340MM	for TOUCH level	12,46
0311	058869	0652800701		S				FUSE; 10A	For 400V; 230V	1,02

??????	267203									
??????	875400W00	???????? 5					Electrical components			
.		Alias		S			.			(Euro)
0311	0C1480	0652803300		S			FUSE; 5*20 6,3A T; USA	For 208V; 240V, Japan Version		1,25
0311	0C2301	0652803900		S			FUSE; OMEGA 800MA (COD. ST22180)	For 400V; 230V		1,27
0311	0C5431	0652803801		S			TIME-LAG FUSE; 5X20 T10A UL/CSA	For 208V; 240V Liv. C		3,69
0311	0C6946	0652400000		S			FUSE; 500V-3,15A; 6,3X32MM	for 480V, z, b		5,49
0312	0F0031	0652802100	0cb128				FUSE HOLDER	For 400V; 230V		16,08
0313	006314	0646810802		S			SAFETY THERMOSTAT; 338 C	For 60Hz Version		121,80
0313	007042	0646812200		S	A		SAFETY THERMOSTAT; 357°C			93,15
0314	002628	0508840801					FLANGE			4,01
0315	002627	0574804900				+	LAMP GLASS			10,24
0316	002626	0543817202				+	LAMP HOLDER GASKET			15,39
0317	0C4396	0660808300	0C9877		A		HALOGEN LAMP; 12V-10W 300GR C.	Up to 4361...		
0317	0C9877	0660400100					HALOGEN LAMP; 12V 10W G4	From 4371...		7,46
0318	0C1200	0660807000		S			LAMP HOLDER			25,38
0319	0C1169	0538804000					THROTTLE			19,89
0320	0C5501	0680802300	0C0883				GEARMOTOR; 230V-50HZ			
0320	0C5502	0680802400	0C8695				GEARMOTOR; 24V-60HZ; USA	For 60Hz Version		
0321	0C5523	0856832500					STEM; 10-20 2/1			18,98
0322	0C1168	0543832200		S			GASKET			31,57
0323	0C1219	0831806402					PIPE			69,53
0324	0C4106	0624811000	0CB143		A		FAN; 220/240V 50/60HZ			37,76
0325	049303	0694605400					RADIO INTERFERENCE FILTER; 250V 50/60HZ			23,55
0326	0C4820	0639812400			A		TERMINAL BOARD; 35MMQ	For 60Hz Version		40,40
0326	0C9704	0639400900					TERMINAL BOARD; TXM 100 04 130A 600V	For JAPAN Version		133,00
0326	0F0112	0639808600					TERMINAL BOARD			28,62
0327	0C1186	0694800700		S			CONDENSER; 31.5 MF			19,18
0327	0C1187	0694802700		S	A		CAPACITOR; 15 MF			14,07
0328	0C6400	0624400100		S	A	Kit	TRANSFORMER; KIT	Up to 329100..		76,73
0328	0C9557	0624400900	0C6400	S			TRANSFORMER; 100VA 230/10-24V 50-50VA	From to 330100		
0328	0C9857	0624400B00	0C9865	S		+	TRANSFORMER;100/200/230V 10.5/24V 50/60H	For Japan Version		
0329	058857	0648803001					RELAY			25,12
0329	088267	0648722900		S			RELAY; COIL 200-240VAC	For 60Hz Version		39,18
0330	007047	0624807002		S	A		POWER SUPPLY BOARD; LAMBDA PROBE			145,10
0331	006879	0648807400		S	A		CONTACTOR; 220-240V 50HZ/240-264V 60HZ	For 60Hz,Japan Version		37,68
0331	007080	0648807700		S	A		CONTACTOR; 220-240V 50HZ/240-264 60HZ			79,89
0331	088477	0648807300		S	A		CONTACTOR; 220-240V 50HZ/240-264V 60HZ			28,84
0331	088557	0648400000		S	A		CONTACTOR; 220-230V 50HZ/240V 60HZ	For 480V,z,b		35,47

??????	267203									
??????	875400W00	???????? 5	Electrical components							
.		Alias		S			.			(Euro)
0331	0C2244	0648808400		S	A			CONTACTOR; 220-240V 50HZ/240-264V 60HZ	For 60 Hz	159,80
0331	0L0355	0648613200		S	A	+		CONTACTOR; 220-240V 50HZ/240-264V 60HZ		68,73
0332	0C4459	0509803900		S				LAMP CAP		5,91
0333	000000									
0334	0C6945	0624400000		S	A			TRANSFORMER; 450VA 12/24/120/208/220/240	FOR 60Hz Version	218,20
0335	056466	0648802601						RELAY	For 60Hz,Japan Version	26,29
0336	0C5451	0543843500		S				LAMP HOLDER GASKET		4,54
0337	0C2983	0646814900		S	A			OVERTEMPERATURE LIMITER; 140GR 3P	For Level TOUCHA, B	82,80
0338	0C6547	0546400200						BOWL; FOR USB	for TOUCH level	3,17
0339	0C6546	0541400A00						PLUG; PER USB	for TOUCH level	5,29
0340	0C1487	0652806400						FUSE CARRIER		117,70
0341	0C2245	0652803600		S				FUSE; OMEGA 22*58 80A (COD. FF258380)	For 60HZ Version	43,75
0341	0C4996	0652806100		S	A			FUSE; 3,15A 5X20; TIME-LAG	For z,b Version	1,36
0342	0C8033	0675858601						BUTTON; 0/I; TOUCH	For TOUCH level	52,27
0343	088267	0648722900		S				RELAY; COIL 200-240VAC		39,18
0344	0C4936	0831851202		S				AIR FILTER; 062-102 'ONE'		86,10
0345	0C9992	0549400K00						CONTROL PANEL FILTER; L=417MM		7,89



PLATON SERVICE
8 (800) 503341
www.platonservice.com



??????	267203									
??????	875400W00	???????? 6	Accessories							
.		Alias		S			.			(Euro)
0400	0C6016	0831849800						TRAY SUPPORT; RIGHT; ONE 102	For P 60 Version	151,20
0401	0C6017	0831849900						TRAY SUPPORT; LEFT; ONE 102	For P 60 Version	156,30
0402	0C4961	0806872800		S				SUPPORT		27,51
0403	0C0325	0830899001		S	A			TEMP.PROBE; THERMOCOUPLE; L=85CM; BOILER	for Level TOUCH e B	39,89
0403	0C5620	0511828100		S				BAKING PAN SUPPORT		11,41
0403	0C6539	0830899101		S	A			THERMOCOUPLE PROBE; L=1100MM; STRAIGHT	for Level TOUCH e B	40,19
0403	0C7028	0830400N00		S	A			SENSOR		42,12



PLATON SERVICE

8 (800) 500-34-41

www.platonservice.com